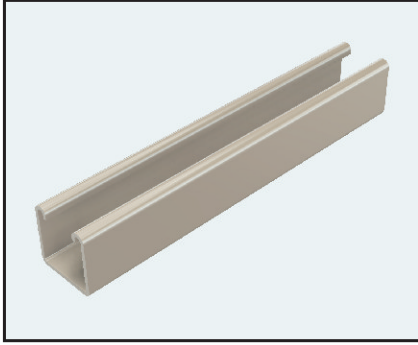


Metal Framing Channels

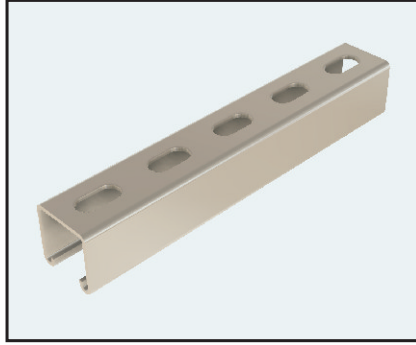
Standard Lengths: 5.0 m & 6.0 m.



Thickness: 2.5mm

M1000 Channel 6.0 Metre

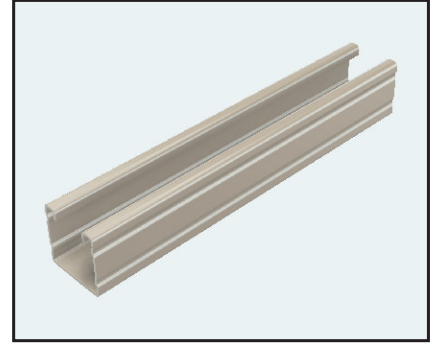
Finish Code: HDG, SS304 & SS316



Slot size: 14 X 28mm @ 50mm Centres.

M1001T Channel 5.0 Metre

Finish Code: HDG, SS304 & SS316



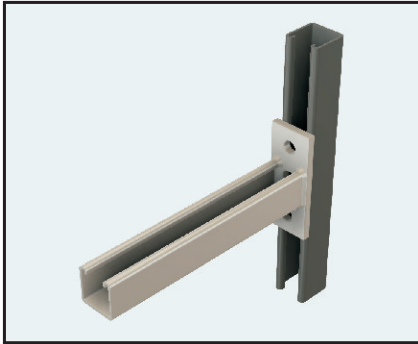
Thickness: 1.5mm

M2000T 5.0 Metre

Finish Code: HDG, SS304 & SS316

Cantilever Bracket

Single Cantilever Bracket



M254

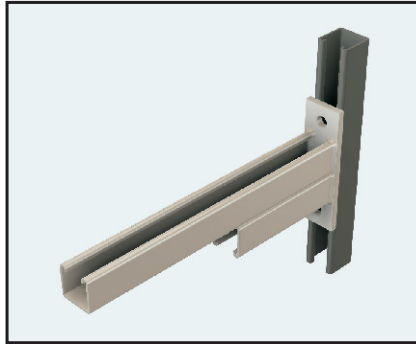
Finish Code: HDG, SS304 & SS316

Length	Unit Mass (Kg)	Total UDL (Kg)
150	0.88	470
200	1.00	345
250	1.45	268
350	1.80	188
450	2.05	149
550	2.00	120
650	2.10	105

MB914 Manhole Bracket



Staggered Cantilever Bracket

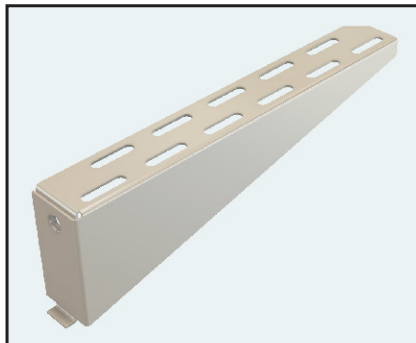


M254S

Finish Code: HDG, SS304 & SS316

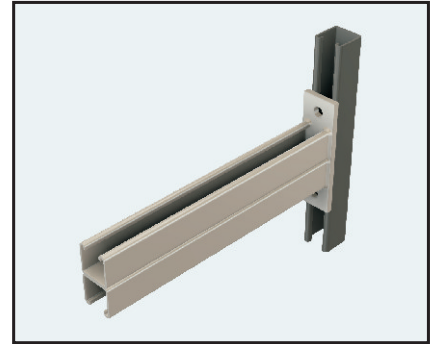
Length	Unit Mass (Kg)	Total UDL (Kg)
650/250	2.85	285
850/300	3.50	210
1050/350	4.35	178

STB249 Slotted Tray Bracket



STB249

Double Cantilever Bracket



M254D

Finish Code: HDG, SS304 & SS316

Length	Unit MASS (Kg)	Total UDL (Kg)
650	4.05	285
850	5.10	210
1050	6.25	178

Part No:	Dims (mm) Length	Dims (mm) height
STB150	150	50
STB230	230	70
STB305	305	87
STB380	380	110
STB457	457	126
STB610	610	164